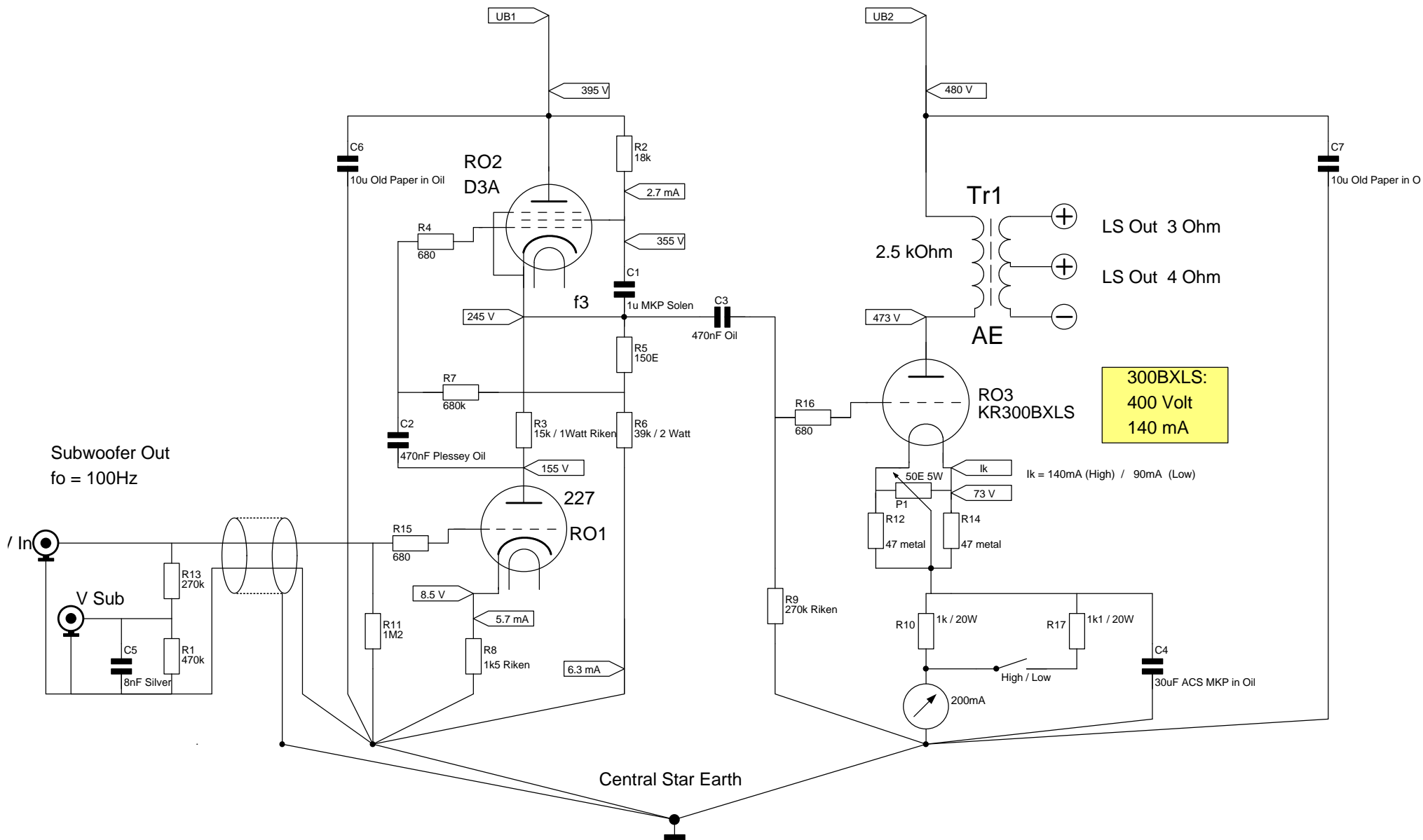


# DD KR-300Bxls

## Single Ended Main Tube AMP With KR 300Bxls

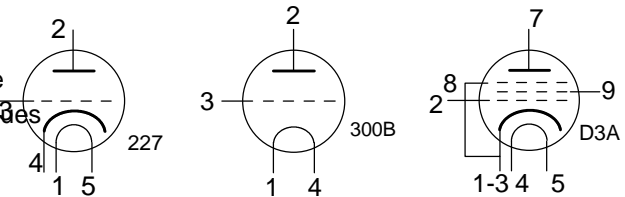
By Doede Douma  
Version 1.2      Update: August 20th 2001



Subwoofer Out  
fo = 100Hz

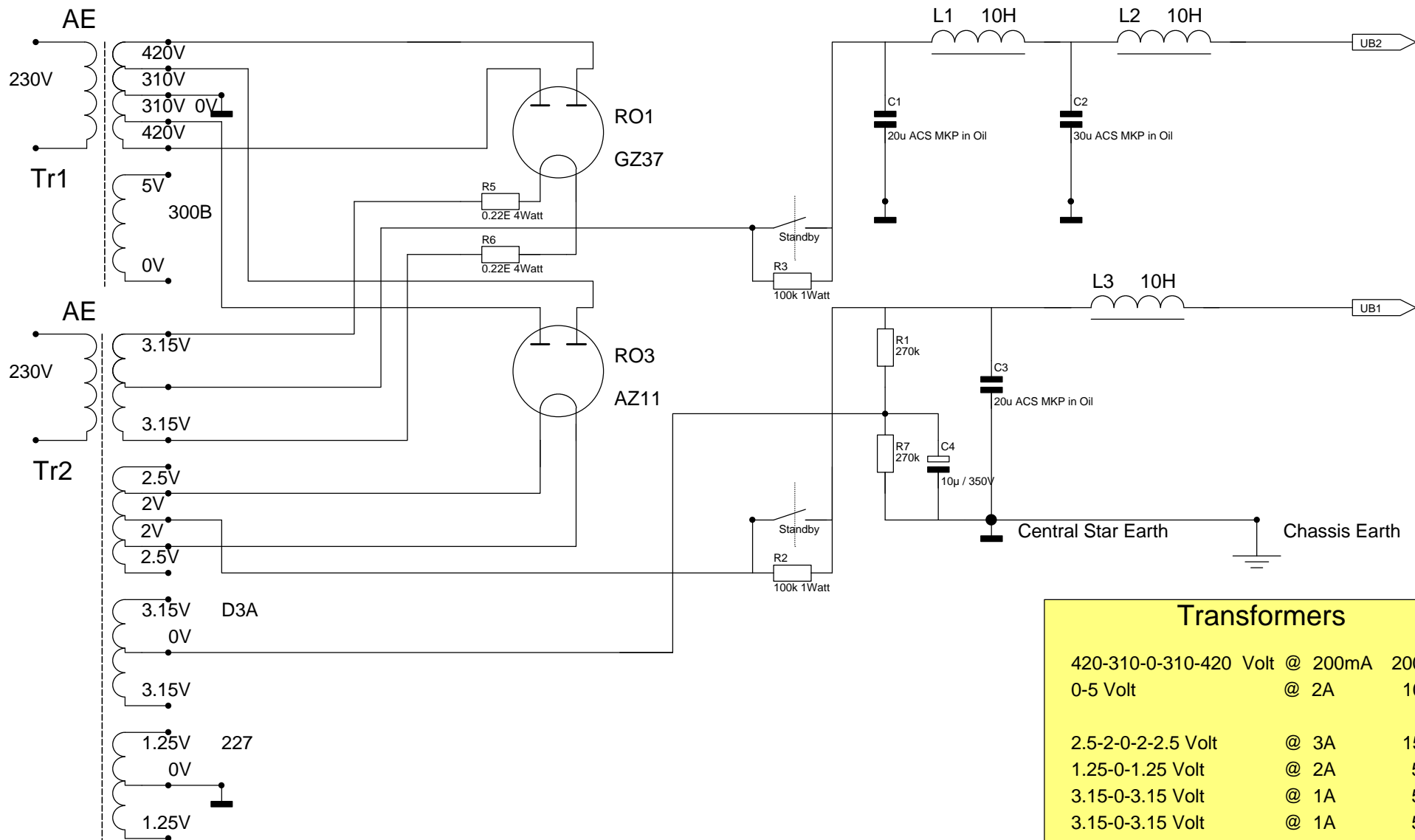
300BXLs:  
400 Volt  
140 mA

Right Channel identical to Left Channel. All parts x 2  
All Resistors Carbon types unless mentioned otherwise  
All Values (Voltage and Current) are real measured values



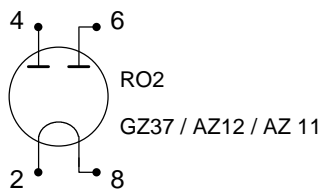
## DD KR-300BXLs, Tube Amp

Update: 15-08-2001	Author: Doede Douma
Revision: 1.2	Page: 1 # 4



Transformers		
420-310-0-310-420 Volt	@ 200mA	200VA
0-5 Volt	@ 2A	10VA
2.5-2-0-2-2.5 Volt	@ 3A	15VA
1.25-0-1.25 Volt	@ 2A	5VA
3.15-0-3.15 Volt	@ 1A	5VA
3.15-0-3.15 Volt	@ 1A	5VA

Right Channel identical to Left Channel. All parts x 2  
Pin Lay Out AZ types AFTER changing Tubesocket



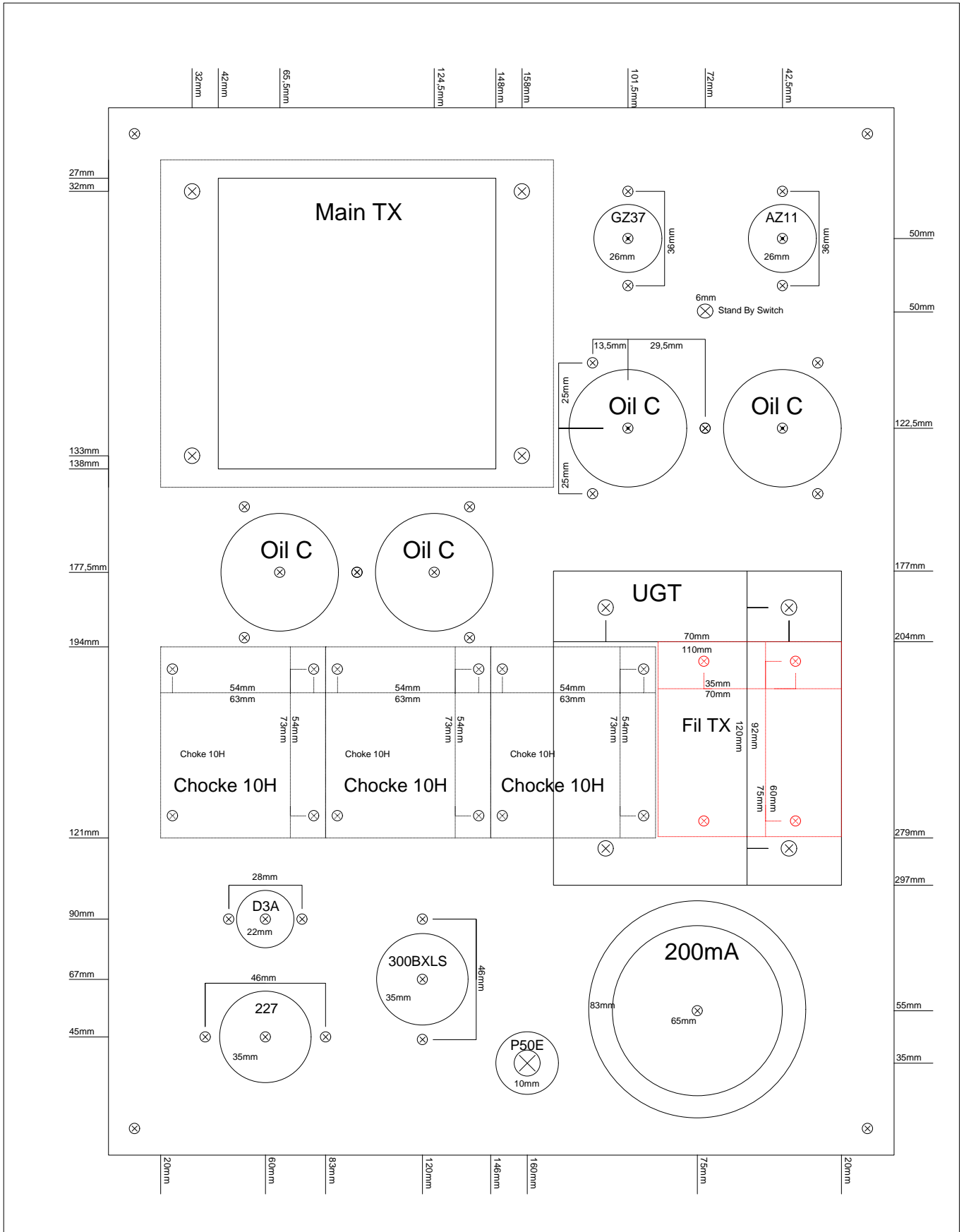
## DD KR-300B XLS, Power

Update: 15-08-2001

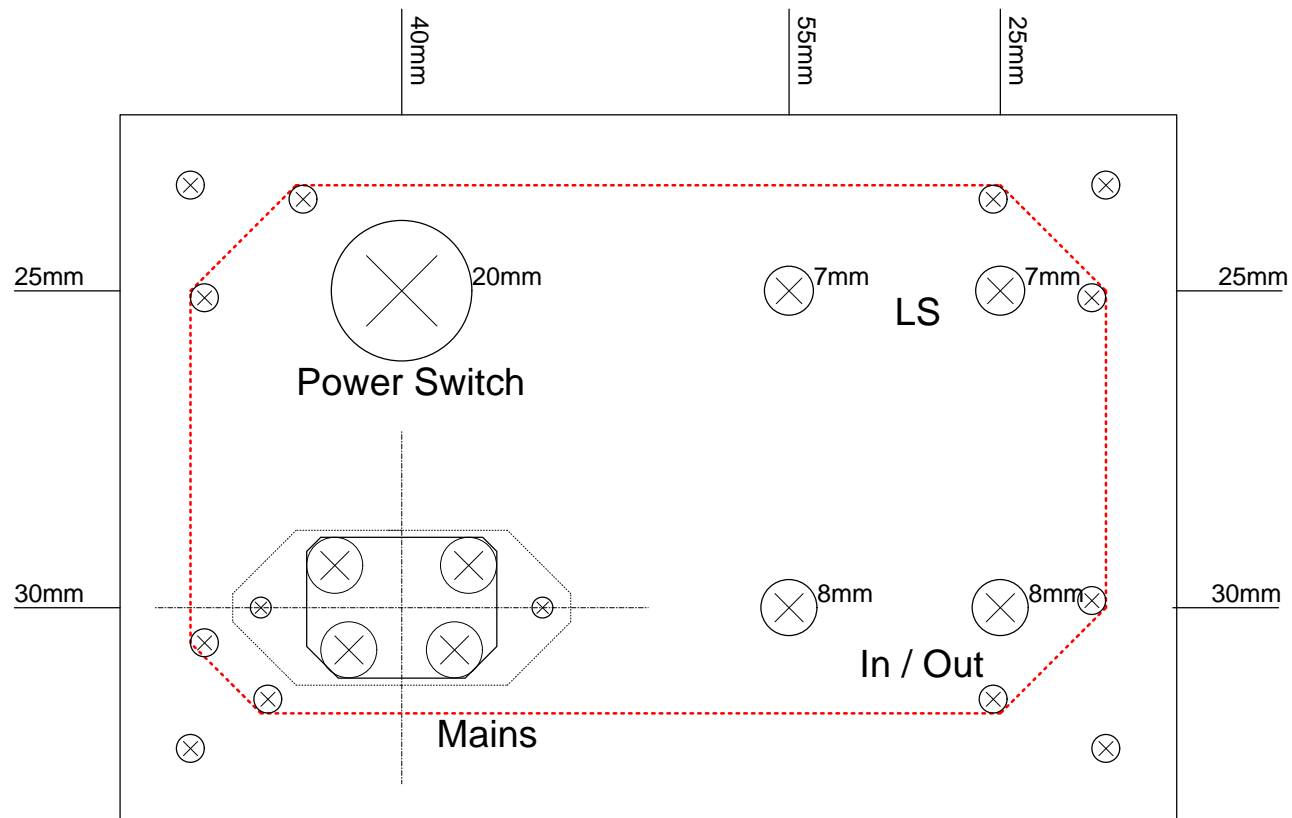
Author: Doede Douma

Revision: 1.2

Page: 2 # 4



<b>DD KR-300BXLs, Case</b>	
Update: 20-06-200	Author: Doede Douma
Revision: 1.1	Page: 3 # 4



## DD KR-300BXL5, Back Plane

Update: 02-07-2001

Author: Doede Douma

Revision: 1.1

Page: 4 # 4